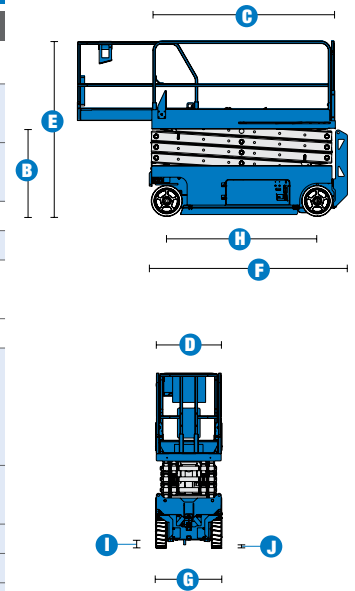
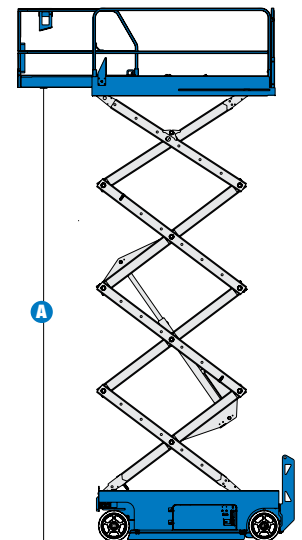


Specifications

| MODELS | GS™-2032 | | GS™-2632 | | GS™-3232 | |
|---|----------|-------------|----------|-------------|----------|--------------|
| | Metric | US | Metric | US | Metric | US |
| Working height maximum* | 8.10 m | 26 ft | 9.92 m | 32 ft | 11.75 m | 38 ft |
| A Platform height maximum | 6.10 m | 20 ft | 7.92 m | 26 ft | 9.75 m | 32 ft |
| B Platform height stowed | 1.03 m | 3 ft 4.5 in | 1.16 m | 3 ft 9.5 in | 1.29 m | 4 ft 2.75 in |
| C Platform length - outside | 2.26 m | 7 ft 5 in | 2.26 m | 7 ft 5 in | 2.26 m | 7 ft 5 in |
| extended | 3.18 m | 10 ft 5 in | 3.18 m | 10 ft 5 in | 3.18 m | 10 ft 5 in |
| Slide-out platform extension deck | 0.91 m | 3 ft | 0.91 m | 3 ft | 0.91 m | 3 ft |
| D Platform width - outside | 0.81 m | 2 ft 8 in | 0.81 m | 2 ft 8 in | 0.81 m | 2 ft 8 in |
| Guardrail height: fixed rails | 0.99 m | 3 ft 3 in | — | — | — | — |
| fold down rails | 1.10 m | 3 ft 7 in | 1.10 m | 3 ft 7 in | 1.10 m | 3 ft 7 in |
| Toeboard height | 0.15 m | 6 in | 0.15 m | 6 in | 0.15 m | 6 in |
| E Height - stowed | | | | | | |
| fixed rails | 2.03 m | 6 ft 8 in | — | — | — | — |
| folding guardrails | 2.13 m | 7 ft | 2.26 m | 7 ft 5 in | 2.43 m | 8 ft |
| rails folded | 1.75 m | 5 ft 9 in | 1.91 m | 6 ft 3 in | 2.03 m | 6 ft 8 in |
| F Length - stowed | 2.44 m | 8 ft | 2.44 m | 8 ft | 2.44 m | 8 ft |
| Length - extended | 3.33 m | 10 ft 11 in | 3.33 m | 10 ft 11 in | 3.33 m | 10 ft 11 in |
| G Width | 0.81 m | 2 ft 8 in | 0.81 m | 2 ft 8 in | 0.81 m | 2 ft 8 in |
| H Wheelbase | 1.85 m | 6 ft 1 in | 1.85 m | 6 ft 1 in | 1.85 m | 6 ft 1 in |
| I Ground clearance - centre | 0.09 m | 3.5 in | 0.09 m | 3.5 in | 0.09 m | 3.5 in |
| J - with pothole guards deployed | 0.02 m | 0.75 in | 0.02 m | 0.75 in | 0.02 m | 0.75 in |



| PRODUCTIVITY | | | | | | |
|---|------------------|----------------|------------------|----------------|------------------|----------------|
| Maximum platform occupancy** | | | | | | |
| - indoor | 2 | 2 | 2 | 2 | 2 | 2 |
| - outdoor | 1 | 1 | — | — | — | — |
| Lift capacity | 363 kg | 800 lbs | 227 kg | 500 lbs | 227 kg | 500 lbs |
| Extension deck capacity | 113 kg | 250 lbs | 113 kg | 250 lbs | 113 kg | 250 lbs |
| Drive height | full height | full height | full height | full height | 6.71 m | 22 ft |
| Drive speed - stowed | 3.5 km/h | 2.2 mph | 3.5 km/h | 2.2 mph | 3.5 km/h | 2.2 mph |
| Drive speed - raised | 0.8 km/h | 0.5 mph | 0.8 km/h | 0.5 mph | 0.8 km/h | 0.5 mph |
| Gradeability - stowed*** | 30% | 30% | 25% | 25% | 25% | 25% |
| Maximum outrigger leveling: front to back | — | — | — | — | — | 3° |
| side to side | — | — | — | — | — | 5° |
| Turning radius - inside | zero | zero | zero | zero | zero | zero |
| Turning radius - outside | 2.13 m | 7 ft | 2.13 m | 7 ft | 2.13 m | 7 ft |
| Raise / lower speed | 30 / 34 sec | 30 / 34 sec | 30 / 40 sec | 30 / 40 sec | 57 / 40 sec | 57 / 40 sec |
| Controls | proportional | | proportional | | proportional | |
| Drive | dual front wheel | | dual front wheel | | dual front wheel | |
| Multiple disc brakes | dual rear wheel | | dual rear wheel | | dual rear wheel | |
| Tyres - solid non-marking | 38 x 13 x 28 cm | 15 x 5 x 11 in | 38 x 13 x 28 cm | 15 x 5 x 11 in | 38 x 13 x 28 cm | 15 x 5 x 11 in |



| POWER | | | | | | |
|---------------------------|--------------------------------------|----------|--------------------------------------|----------|--------------------------------------|----------|
| Power source | 24V DC (four 6V 225 Ah batteries) | | 24V DC (four 6V 225 Ah batteries) | | 24V DC (four 6V 225 Ah batteries) | |
| Hydraulic system capacity | 14.2 L | 3.75 gal | 14.2 L | 3.75 gal | 14.2 L | 3.75 gal |

| WEIGHT**** | | | | | | |
|------------|----------|-----------|----------|-----------|----------|-----------|
| | 1,825 kg | 4,024 lbs | 1,956 kg | 4,313 lbs | 2,352 kg | 5,185 lbs |

| STANDARDS COMPLIANCE | | | | | | |
|----------------------|---|--|--|--|--|--|
| | ANSI A92.6, CSA B354.2, CE Compliance, AS 1418.10 | | | | | |

* The metric equivalent of working height adds 2 m to platform height. U.S. adds 6 ft to platform height.
 ** CE/AUS markets: GS-2632 and GS-3232 indoor use only. GS-2032 outdoor use-one person maximum occupancy.
 *** Gradeability applies to driving on slopes. See operator's manual for details regarding slope ratings.
 **** Weight will vary depending on options and/or country standards.

Features

STANDARD FEATURES

MEASUREMENTS

GS™-2032

- 8.10 m (26 ft) working height
- Up to 363 kg (800 lbs) lift capacity

GS™-2632

- 9.92 m (32 ft) working height
- Up to 227 kg (500 lbs) lift capacity

GS™-3232

- 11.75 m (38 ft) working height
- Up to 227 kg (500 lbs) lift capacity

PRODUCTIVITY

- 2.26 m x 0.81 m (7 ft 5 in x 2 ft 8 in) steel platform
- 0.91 m (3 ft) extension deck
- Folding rails with half-height swing gate
- Automatic leveling outriggers (GS-3232 only)
- Dual front wheel drive
- Proportional lift and drive
- Platform control with battery charge indicator and diagnostic display
- Onboard diagnostic system
- Manual platform lowering valve
- Emergency stop at both platform and ground controls
- Multiple disc brakes
- Brake release
- Solid non-marking tyres
- Pothole guards
- Tilt alarm
- Descent alarm
- Electronic horn
- Hour meter
- Dual flashing beacons
- Motion alarm

POWER

- 24 V DC (four 6 V 225 Ah batteries)
- Universal 20 amp smart charger

OPTIONS & ACCESSORIES

PRODUCTIVITY

- Air line to platform
- Panel mounted, recessed charger receptacle
- Platform work lights
- Automotive horn
- Laser locator (GS-3232)

POWER OPTIONS

- Maintenance-free batteries
- EE rating
- 240 V power to platform



Genie Australia – Toll free number 1800 788 633

Brisbane (Head Office)
33 Kimberley Street
Darra QLD 4076

Sydney
74 Glendenning Road
Glendenning NSW 2761

Melbourne
374 Hammond Road
Dandenong VIC 3175

Perth
126 Sheffield Road
Welshpool WA 6106

Genie United States

Distributed by:

18340 NE 76th Street
P.O. Box 97030
Redmond, Washington
98073-9730



Effective Date: April 2012. Product specifications and prices are subject to change without notice or obligation. The photographs and/or drawings in this document are for illustrative purposes only. Refer to the appropriate Operators' Manual for instructions on the proper use of this equipment. Failure to follow the Operators Manual when using our equipment or to otherwise act irresponsibly may result in serious injury or death. The only warranty applicable to our equipment is the standard written warranty applicable to the particular product and sale and we make no other warranty, express or implied. Products and services listed may be trademarks, service marks, or trade names of Terex Corporation, Terex South Dakota, Inc., and/or their subsidiaries in the USA and other countries. All rights reserved. Terex is a registered trademark of Terex Corporation in the USA and many other countries. Genie is a registered trademark of Terex South Dakota, Inc. in the USA and many other countries. ©2009 Terex Corporation.