

WHY MULTIPURPOSE

POSSIBILITY OF WORKING AS PURE TELESCOPIC



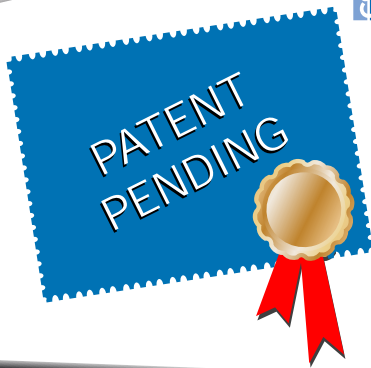
POSSIBILITY OF WORKING WITHOUT STABILISERS IN A REAR AREA



EXCELLENT OVERCOMING-OBSTACLES HEIGHT



ZERO TAILSWING IN ALL THE CONFIGURATIONS



Product specifications are subject to change without notice or obligation. Technical features and drawings in this brochure are for illustrative purposes only. _B_lift_20.13mp_en



lift 20.13 MP
multipurpose



CTE S.p.A.
Headquarter and Factory - Rovereto (Tn): via Caproni, 7
ph. +39 0464.48.50.50 - fax +39 0464.48.50.99
Factory - Bertinoro (Fc): viale 2 Agosto, 670
ph. +39 0543.44.88.30 - fax +39 0543.44.83.43
e-mail: info@ctelift.com
CTE UK Ltd - Enderby Leicestershire - UK
CTE FRANCE Sas - Achères - Saint Clair du Rhone - France



Distributed by
madani utama
Crane car rental & service
www.mobilcrane.co.id



www.ctelift.com

ENGLISH



SPECIFICATION

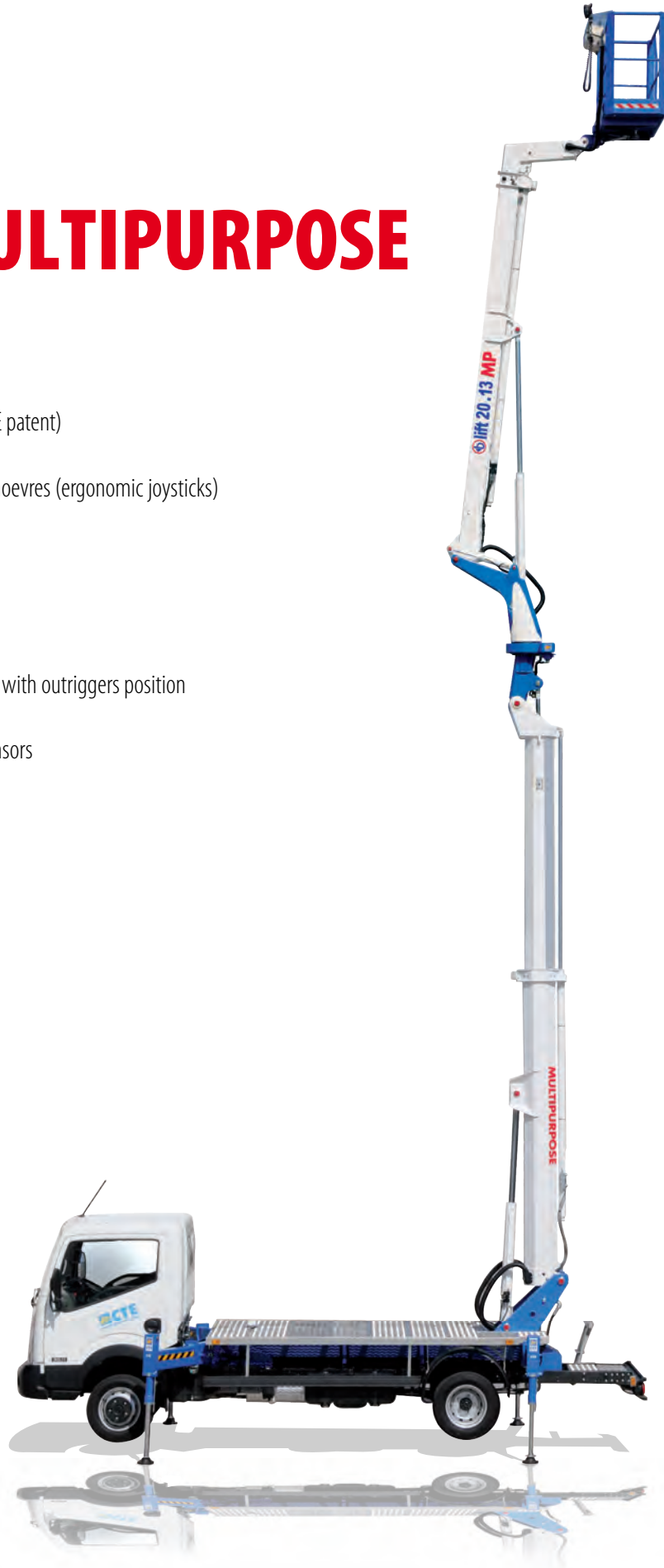
B-LIFT 20.13 MULTIPURPOSE

TECHNICAL DATA

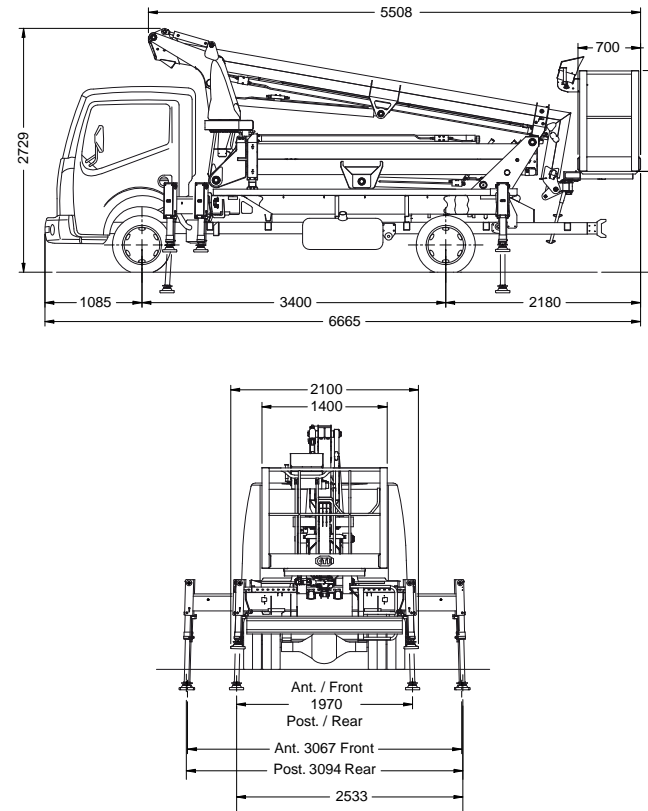
- 2+2 telescopic booms, rotation at top of the lower boom (CTE patent)
- 540° non continuous turret rotation on bearing turntable
- Proportional electrohydraulic controls with simultaneous manoeuvres (ergonomic joysticks)
- Engine start and stop controls from basket
- Anti slip aluminium flatbed decking
- Aluminium basket
- 90° right + 90° left hydraulic basket rotation
- Automatic basket levelling by hydraulic parallelogram
- Max performance in terms of working outreach in accordance with outriggers position
- 1 flashing beacon
- 4 hydraulic extendible outriggers equipped wwith ground sensors
- Hydraulic system operated by vehicle's PTO
- 230 V AC CE electrical socket in the basket
- Buzzer indicating PTO engaged
- Hour meter
- Standard boom colours blue (RAL 5017) or white (RAL 9010)
- CE certified
- Ground control station with display

PERFORMANCE

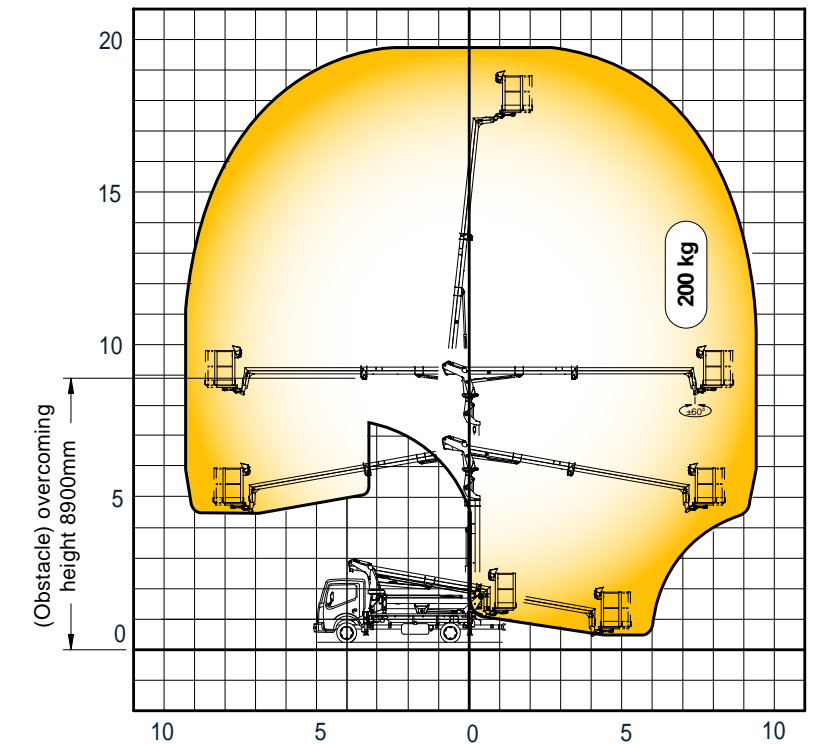
Working height	19.8 m
Platform height	17.8 m
Working outreach	9.3 m
Capacity	200 kg
Basket dim.	1400x700x1100 mm
GVW minimum	3,5 t



DIMENSIONS AND OUTRIGGER FOOTPRINT



WORKING ENVELOPE



STRONG POINTS B-LIFT 20.13 MP

